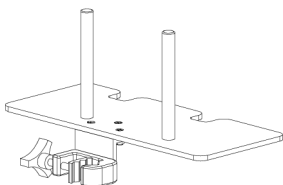


ACCESSORIES

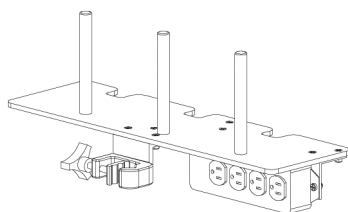
Tandem Carrier



Cat No. 55092NS

- Holds 2 Spectrum Pumps
- Stainless upright tubes and aluminum plate
- C-clamp jaw opening expands to 1.5"
- C-clamp knob comes off if semi-permanent attachment of carrier is desired

3 Pump Carriers



Cat No. 55093

- Holds 3 pumps.
- Stainless upright tubes and aluminum plate
- UL, CSA four outlet power strip for multi pole plug in (1 cord from IV pole to wall outlet)
- C-clamp jaw opening expands to 1.5"
- C-clamp knob comes off if semi-permanent attachment of carrier is desired

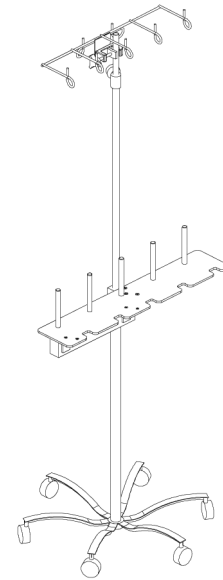
CAUTION: Use Stable IV Poles

Mount pumps on IV poles that securely hold the pump.

Multi-Pole

Cat No. 55088-1

- Holds 5 pumps
- Adjustable height stainless steel pole
- 7-hook top
- UL, CSA six outlet power strip for multi-pole plug in (1 cord from IV pole to wall outlet)
- Heavy-duty 6-leg base with 3" soft rubber casters
- Patient support ring attached to rear of plate



CAUTION: Securely mount IV pumps to pole by turning the mounting knob clockwise. To maintain IV pole stability never exceed 210 cm (83") from floor to IV pole top, and limit bag volume at this extended height to < 1 liter (1000 cc).

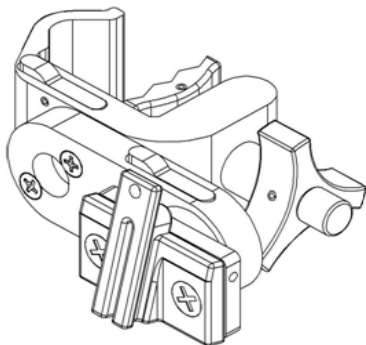
AC Power Adaptor Protector

SIGMA Part Number (P/N) 45742

- Snaps on the adaptor side of AC Power Adaptor P/N 35714
- Handle on the Protector helps for easy insertion and removal of adaptor (power supply) from receptacle
- Protects adaptor from damage



CAUTION: Always route IV set tubing and AC Power Adaptor cabling to prevent patient hazard or entanglement. Identify the individual IV set lines when multiple pumps and routes of administration are practiced.



Double Rotating Pole Clamp Assembly

SIGMA Part Number (P/N) 35743

- The double rotating feature of Double Rotating Pole Clamp enables the pump to be offset on left or right side of the single (standard) IV pole diameters ranging from 0.75" to 1.25".
- The clamp can also be clamped to hospital bedside rail diameters ranging from 0.75" to 1.25".
- Mount the clamp on the IV pole by rotating the triangular knob clockwise. The cylindrical protrusion on the triangular knob helps to rotate the knob faster.
- The pump mounted on the adaptor can be rotated clockwise or counterclockwise in 90° increments by pressing the lever located on the arm.
- The pump can be offset by the length of the arm by rotating the arm in clockwise or counterclockwise in 90° increments by pressing the lever located on the body of the clamp.
- Make sure the pump is in vertical orientation with the key hole at the top of the pump while in operation.
- Refer to the cleaning section of this manual for compatible cleaners.
- Refer to the installation manual, P/N 41092 on how to install the clamp on the pump.
- The weight of the clamp is less than 1.2 lbs.
- The dimension of the clamp is less than 7.0" long X 2.5" high X 4.5" wide.

CAUTION: Always operate the pump in vertical direction with the key hole at the top of the pump.
